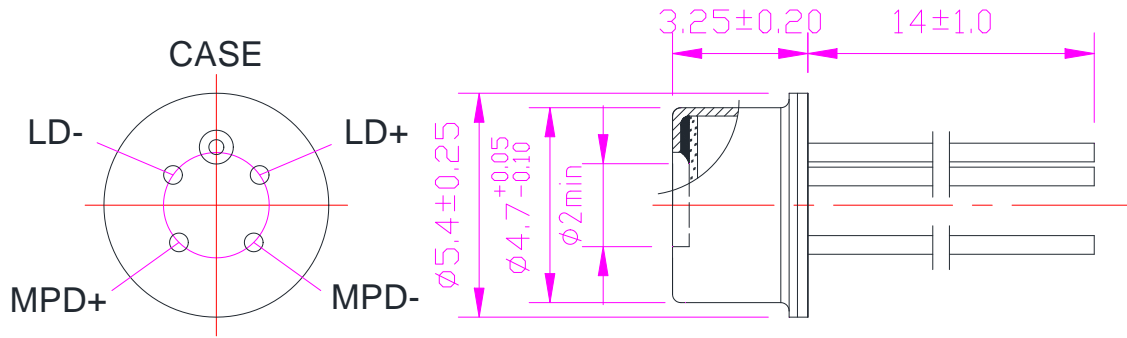


PROVIDE
THE



--	--	--	--	--	--	--

Mechanical Dimension and Pin Assignment:



BOTTOM VIEW

Order Information:

LD 850nm VCSEL – – – –

--	--	--	--

Statement

Contact Information:
