



Gbps PIN-TIA 1310nm TO-CAN Series

Features:

Fcvc tcvgu wr vq 47 Idru0
 Ukp ing -505X Rqygt Uwr rn{0
 /62°C vq :7°C Qrgtcvkqp0
 Fkhgtgpkcn Qwrrwv0
 Tgegkxgf ukipcn uvtgpivj kpfkecvqt* TUUK+0
 kp IcCu RKP Fgvgevt cpf VKC kpukfg0
 Ykvj 3M tgukvcpeg

Applications:

Jkij urggt Vgngqo cpf Fcvceqo0

Specifications:

Absolute Maximum Ratings

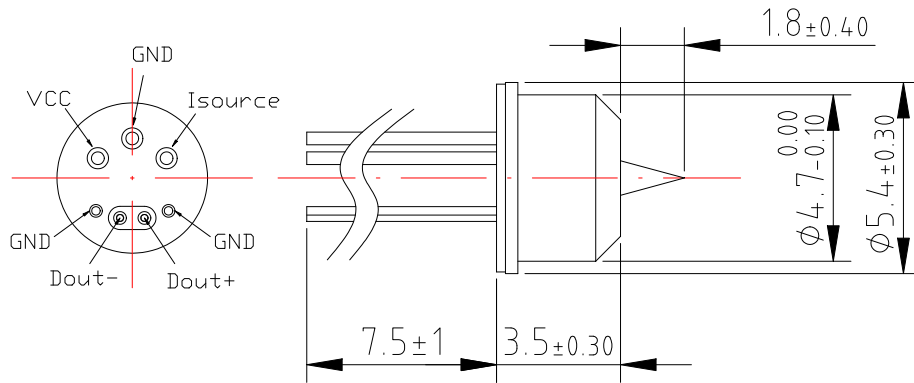
| Qrvkecn kprwv Rqygt | R _{tp} | — | 7 | fDo |
|-------------------------|-----------------|-----|-----|-----|
| Qrgtcvkpi Vgorgtcwvtg | V _{qr} | /62 | :7 | °C |
| Uvqtci g Vgorgtcwvtg | V _{vi} | /62 | :7 | °C |
| Ngcf Uqnfgt Vgorgtcwvtg | — | — | 482 | °C |
| Ngcf Uqnfgtkpi Vkog | — | — | 32 | u |

| Uwr rn{ Xqncvieg | Xee | ô | 40;9 | 505 | 5085 | X |
|-----------------------|-----|---|------|-----|------|-----|
| Uwr rn{ Ewtgtpv | kee | Xee?505X | ô | 48 | 55 | oC |
| Qrgtcvkpi Ycxngnpi vj | e | Xee?505X | 3482 | ô | 3822 | po |
| TUUK Qhhugv Ewtgtpv | kf | Xee?505X | ô | ô | 322 | pC |
| Dcpfykfvj | DY | /5fD | ô | 43 | ô | I J |
| Qxgtnqcf | QN | Xee?505X | 404 | ô | ô | fDo |
| Ugpukvkv{ | Ugp | 4709: Idru.RTDU53. 3532po.GT?6fD. DGT?32G/7 | ô | ô | /36 | fDo |
| Tgurqpukvkv{ | Tgu | 3532po | 209 | ô | ô | ClY |
| Qrvkecn Tgvwtp Nquu | QTN | 3532po | ô | ô | /49 | fD |



| | |
|-----------|---------------|
| Ocvgtkcnu | Rctv Pw o dgt |
| RKP RF | 2223242448 |
| VKC | 22222;2348 |

Mechanical Dimension and Pin Assignment:



Order Information:

| | | |
|--------------------------------------|--|---|
| □ | □ | □ |
| | | |
| <u>J g c f g t V { r g :</u> VQ68 | <u>E c r V { r g :</u> Cur : Cur j g t k e N g p u | <u>P w o d g t u q h R k p :</u> 9 r k p |

UCP/W qypu vjg cwvjatkv{ hqt hkpcn gznrcpvkqp qh cnn kphqto cvkqp eqpvckpgf kp vjku fqewogpv. yjkej ku uwdlgev vq ejcpig ykvjqww pqvkeg0 Cnn vjg kphqto cvkqp ycu qdvckpgf kp rctvkewact gpvktqogpvu= cpf UCP/W yknn pqv dg tcurqpukdng hqt vjg rgthqto cpeg qh vjg ewuvogtuø cevwcn qrctcvkpi gpvktqogpvu0 Cnn kphqto cvkqp eqpvckpgf ku qpn{ hqt vjg wugtu) tghgtpeg cpf ujcmn pqv dg eqpvkfgtgf cu ycttcepvgf ejtcevgtkuvkeu0 UCP/W yknn pqv dg nkcdng hqt fcocigu ctkukpi fktgevn{ qt kpfktgevn{ yjkej htqo cp{ wug qh vjg kphqto cvkqp eqpvckpgf kp vjku fqewogpv0

Cfftguu< P723/727 Ygk{g Dnfi0. Zkco gp Rkqpggtkpi Retm Hqt Qxgtugcu Ejkpug Uejqnetu. Zkco gp.



文件编号: UW/23/3;/C/29/C:;L

版本: 23

实施日期: 423:033035

第 5 页 共 5 页

Hwlkcp. Ejkpc

Vgn< - :8/7;4/5: ; :823. 5: ; :82:.. 753:222

Hcz< - :8/7;4/79257: :

G o ckn< ucngu B ucp/w0eq o

[jwr<ll y y0ucp/w0eq o](#)